

UCG 55 - 12

12V 55AH

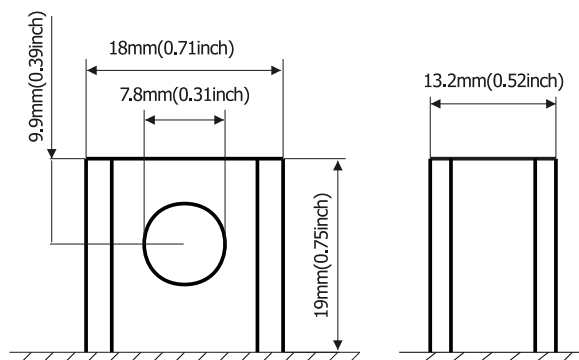
DEEP CYCLE GEL

Ultrace//[®]

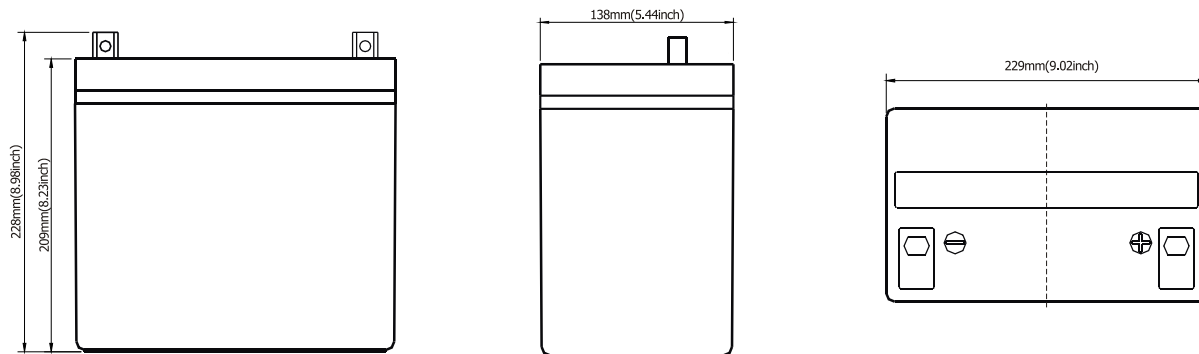
'Quality in Every Language'



Terminal Type



Dimensions



Specifications

Battery Model	UCG 55 - 12			
Designed Floating Life	10 Years			
Capacity (25°C)	20HR (2.8A, 1.75V)	10HR (5.225A, 1.75V)	5HR (9.35A, 1.75V)	1HR (33A, 1.6V)
	61AH	52.25AH	46.75AH	33AH
Dimensions	Length	Width	Height	Total Height
	229mm	138mm	209mm	228mm
Approx. Weight	17Kg			
Internal Resistance	Fully Charged at 25°C 0.006 Ohm			
Self Discharge	3% of capacity declined per month at 25°C			
Capacity Affected by Temperature	40°C	25°C	0°C	-15°C
	102%	100%	85%	65%
Charge Voltage (25°C)	Cycle Use		Float Use	
	14.0-15.0V (-24mV/C), max. Current: 16.5A		13.6-13.8V (-18mV/C)	

Construction

Component	Raw material	Sealant	Epoxy Resin
Positive	Lead dioxide	Safety Valve	EPDR
Negative	Lead	Terminal	Copper
Container	ABS (Flame Retardent optional)	Separator	Fibre Glass
Cover	ABS (Flame Retardent optional)	Electrolyte	Sulphuric acid and Gel

Sealed and maintenance free option *Non-spillable construction design*



CE 1188



MH 29410

Tel +44 (0) 151 523 2777
 Fax +44 (0) 151 523 0855
 E-mail info@ultrace//.co.uk
 Web www.ultrace//.co.uk

UCG 55 - 12

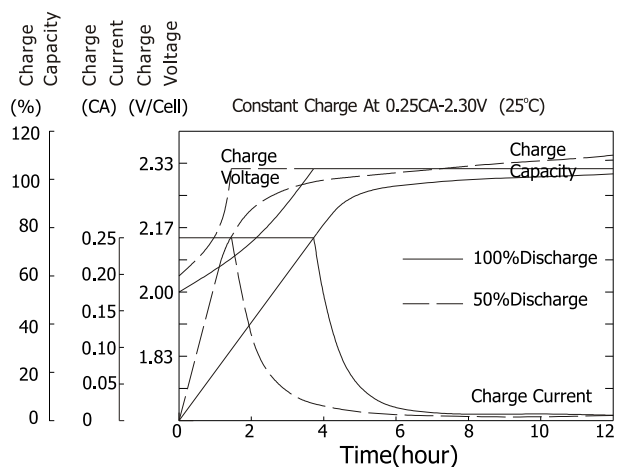
12V 55AH

DEEP CYCLE GEL

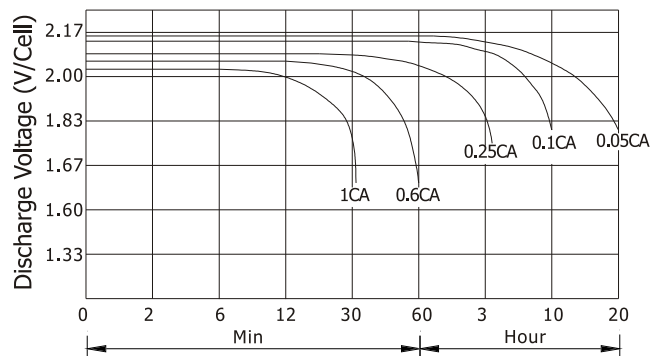
Ultracell®

'Quality in Every Language'

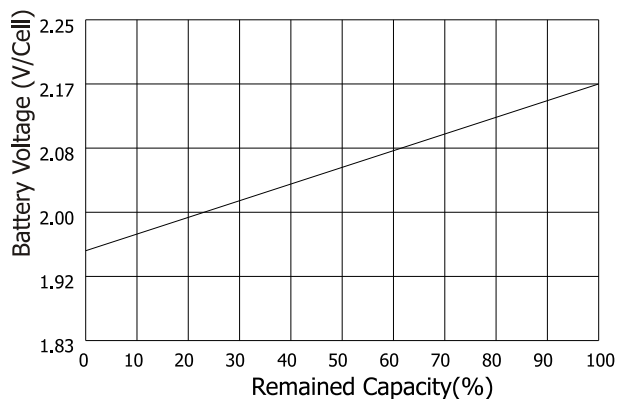
Charge Characteristic



Discharge Characteristic 25°C



Relationship of OCV and state of charge



Life Expectancy Cycle Use:

- 100% depth of discharge 350 cycles
- 80% depth of discharge 600 cycles
- 50% depth of discharge 900 cycles
- 30% depth of discharge 1500 cycles
- 20% depth of discharge 1700 cycles

Constant Current Discharge Ratings - amperes at 25°C

F.V / Time	5 MIN	10 MIN	15 MIN	30 MIN	1 HR	3 HR	5 HR	10 HR	20 HR
1.60 V	193	132	96.3	57.8	36.3	15.0	10.5	5.83	2.90
1.67 V	173	120	93.5	56.1	36.2	15.0	10.4	5.74	2.89
1.70 V	164	116	90.2	55.0	36.1	15.0	10.4	5.70	2.89
1.75 V	146	107	85.3	53.9	35.8	14.9	10.3	5.60	2.88
1.80 V	132	100	81.4	52.3	35.3	14.8	10.2	5.50	2.77
1.85 V	100	82.0	70.4	48.1	34.9	14.7	10.2	5.41	2.73

Constant Power Discharge Ratings - watts at 25°C

F.V / Time	5 MIN	10 MIN	15 MIN	30 MIN	1 HR	3 HR	5 HR	10 HR	20 HR
1.60 V	317	219	171	109	71.5	28.8	20.1	11.7	5.80
1.67 V	301	216	169	107	69.1	28.8	20.1	11.5	5.78
1.70 V	281	211	166	104	67.3	28.8	20.1	11.4	5.78
1.75 V	262	197	156	101	66.7	28.4	19.9	11.2	5.75
1.80 V	235	183	147	98.5	65.6	28.0	19.5	11.0	5.55
1.85 V	188	152	128	90.2	65.0	27.9	19.3	10.8	5.45



Tel +44 (0) 151 523 2777
 Fax +44 (0) 151 523 0855
 E-mail info@ultracell.co.uk
 Web www.ultracell.co.uk